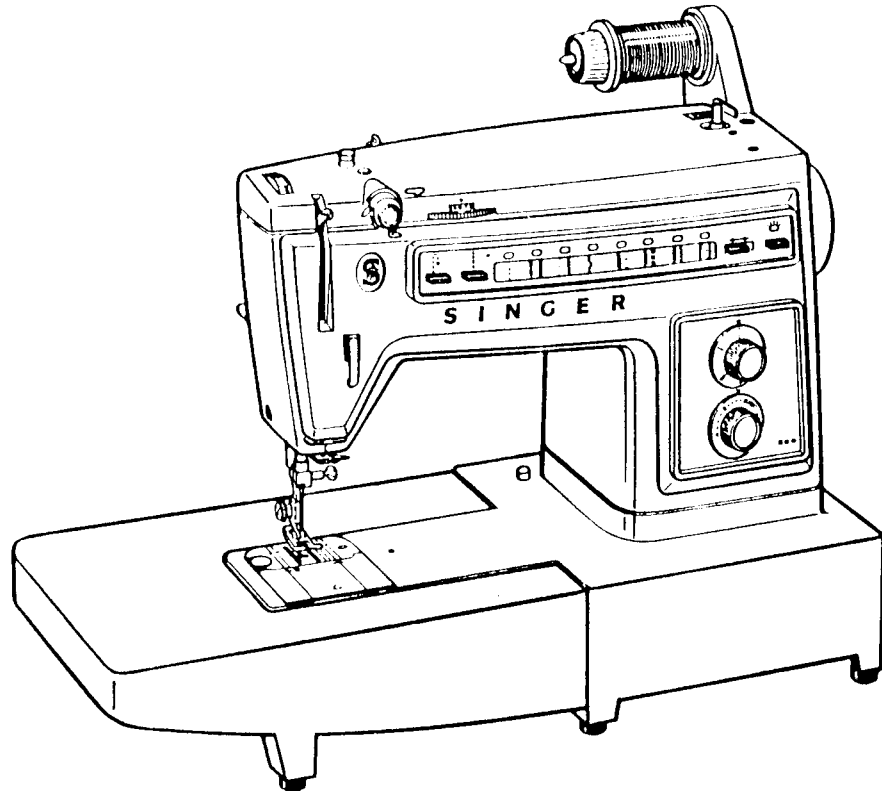


**SINGER**  
**560J**

620 173743560

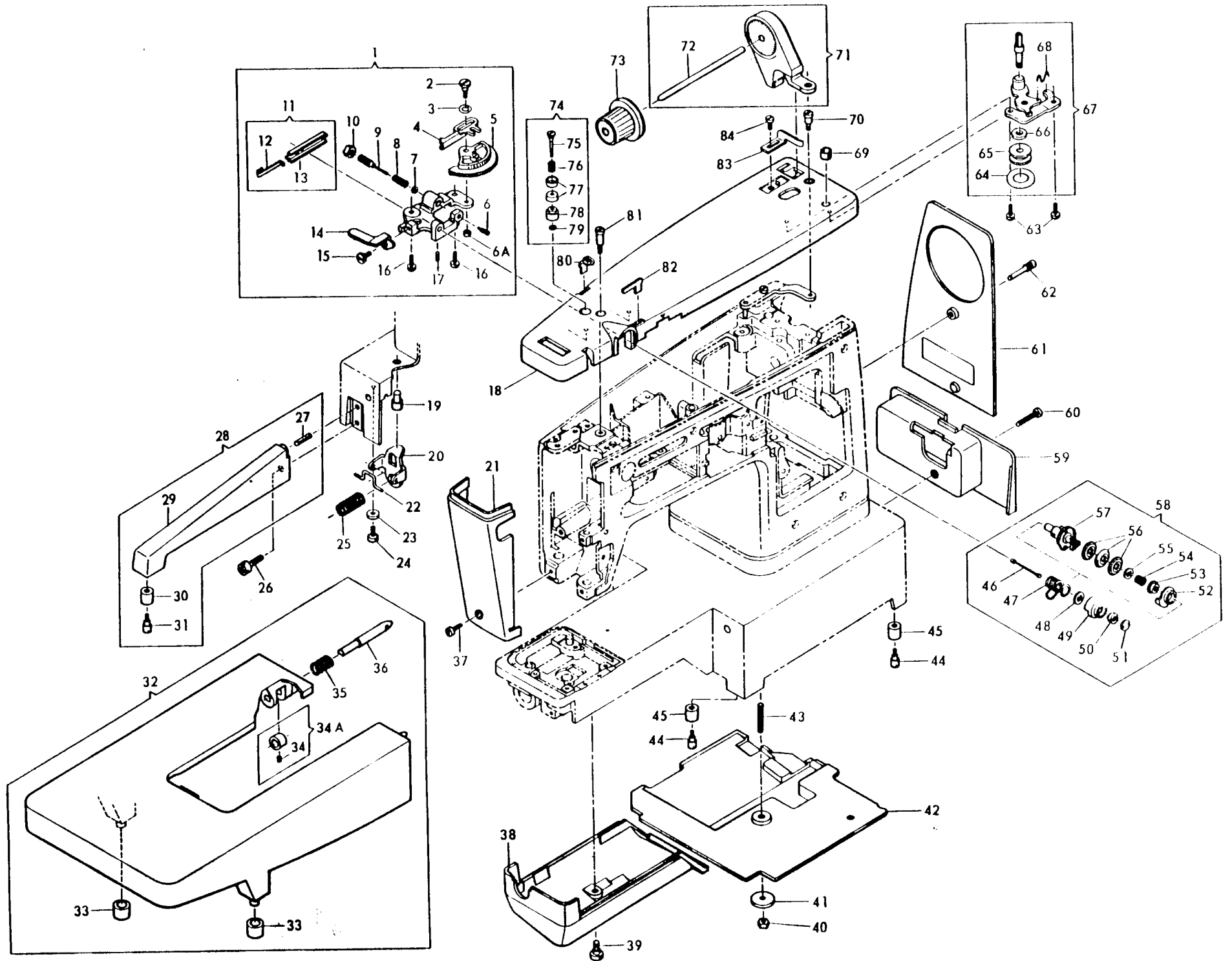
# List of Parts-560 J Machine



## ATTACHMENT SET 381220

- 153267 Presser Foot Plate (snap-on)  
for Straight Sewing
- 161613 Presser Foot for Button Sewing
- 161927 Presser Foot Plate (snap-on)  
for Sewing Buttonholes
- 171392 Throat Plate for Straight Sewing
- 171498 Special Purpose Presser Foot  
Plate (snap-on)
- 172007 Spool Pin for Twin Needle Sewing
- 172336 Bobbin (3)
- 319914 Spool Pin Washer
- 381213 Blind Stitch Guide (non-adjustable)
- 381251 Needle Pack
- 381253 Feed Cover Plate
- 381263-451 Attachment Box
- 507664-455 Arm Top Cover Spool Pin Thread  
Lead-Off (small)
- 507836 Presser Foot Plate (snap-on)  
for Cording and Slide Fasteners

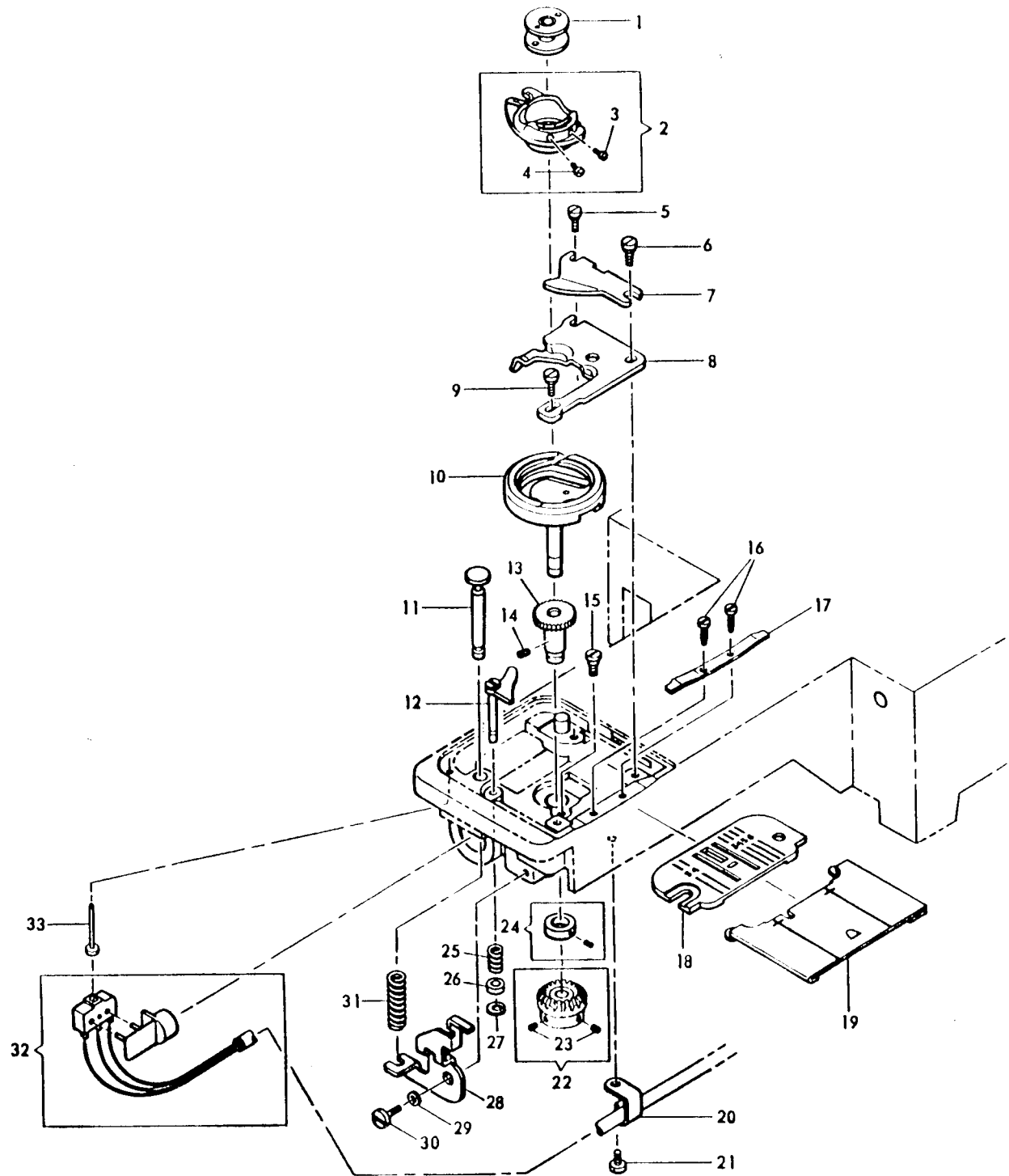
# List of Parts-560 J Machine (COVERS)



## List of Parts-560 J Machine (COVERS)

REF. NO.	PART NO.	DESCRIPTION	REF. NO.	PART NO.	DESCRIPTION	REF. NO.	PART NO.	DESCRIPTION
1	153803-454	Tension Assembly Complete	34A	102787	Bed Extension Locking Lever	67	103594	Bobbin Winder Complete
2	114302-451	Tension Indicator Dial Hinge Screw	35	148452	Stud Collar with 114111-830	68	153771	Bobbin Winder Spring
3	440-994	Tension Indicator Dial Hinge Screw Spring Washer	36	148451	Bed Extension Locking Lever Stud Spring	69	90374	Spool Pin (for twin needle sewing) Retaining Clip
4	506381	Tension Regulating Slide	37	114297-451	Bed Extension Locking Lever Stud	70	139958-451	Arm Top Cover Screw (right)
5	153553-454	Tension Indicator Dial	38	312161-451	Face Plate Screw	71	312218-451	Arm Top Cover Spool Pin Holder
6	514546-453	Tension Regulating Slide Alignment Screw	39	114233-451	Bed Cover (tubular) Screw	72	507139-677	Arm Top Cover Spool Pin (plastic)
6A	116159-451	Tension Indicator Dial Hinge Screw Nut	40	179732-451	Bed Cover Plate (bottom) and Capacitor Clip Support Screw Nut	73	163149-007	Arm Top Cover Spool Pin Thread Lead-Off Complete
7	172731	Tension Spring Washer	41	8879-702	Bed Cover Plate (bottom) and Capacitor Clip Support Screw Washer (felt)	74	310763-454	Bobbin Winder Tension Complete
8	312183	Tension Spring	42	312131	Bed Cover Plate (bottom)	75	310761	Bobbin Winder Tension Disc Screw Stud
9	354104-451	Tension Spring Adjusting Screw	43	354558-451	Bed Cover Plate (bottom) and Capacitor Clip Support Screw	76	45847	Bobbin Winder Tension Disc Spring
10	114306-452	Tension Spring Adjusting Screw Lock Nut	44	114236-451	Bed Cushion Screw (3)	77	45915	Bobbin Winder Tension Disc (2)
11	153874	Tension Regulating Slide Plate 153558 with 153873	45	172203	Bed Cushion (3)	78	310762-452	Bobbin Winder Tension Support (adjustable)
12	153873	Tension Disc Pressure Pin Spring Clip	46	174397	Tension Disc Pressure Pin	79	172673	Bobbin Winder Tension Support Retaining Ring
13	153558	Tension Regulating Slide Plate	47	319866	Thread Take-Up Spring	80	310778	Arm Top Cover Thread Guide
14	153559	Tension Releasing Lever	48	319867	Tension Cap and Slack Thread Regulator Friction Washer	81	114061-851	Arm Top Cover Screw (left)
15	379504-451	Tension Releasing Lever Hinge Screw	49	174393-454	Tension Cap and Slack Thread Regulator (plastic)	82	312245	Arm Top Cover Thread Wear Bar
16	354609-451	Bobbin Winder Mounting Screw (2)	50	153724	Tension Cap and Slack Thread Regulator Nut	83	153772	Bobbin Winder Stop
17	354085-451	Tension Stud Set Screw	51	153739	Tension Cap and Slack Thread Regulator Nut Decal (adhesive backed)	84	139893-452	Bobbin Winder Stop Screw
18	311878-451	Arm Top Cover	52	319868	Tension Thread Guide (front)			
19	153519-454	Bed Extension Locking Lever Releasing Button	53	514606-451	Pre-Tension Spring Adjusting Nut			
20	511018	Bed Extension Locking Lever	54	116158	Pre-Tension Spring			
21	153693-453	Face Plate	55	174398	Tension Disc Pressure Plate			
22	511021	Bed Extension Locking Lever Pivot	56	174396	Tension Disc (3)			
23	501723	Bed Extension Locking Lever Pivot Screw Supporting Disc	57	153562	Tension Stud			
24	114235-451	Bed Extension Locking Lever Pivot Screw	58	153564-452	Tension (adjustable) Complete			
25	172154	Bed Extension Locking Lever Spring	59	310777-454	Bed End Cover Plate			
26	379501-451	Bed Leg (back) Screw	60	114254-451	Bed End Cover Plate and Motor Module Mounting Screw			
27	507064	Bed Leg (back) Position Pin	61	312254-451	Arm End Cover Plate			
28	103641-452	Bed Leg (back) complete	62	354566-451	Arm End Cover Plate Screw (upper)			
29	103640-452	Bed Leg (back)	63	354609-451	Bobbin Winder Mounting Screw (2)			
30	172203	Bed Leg (back) Cushion	64	33730-701	Bobbin Winder Friction Ring			
31	114236-451	Bed Leg (back) Cushion Screw	65	173770	Bobbin Winder Pulley			
32	148415-453	Bed Extension Complete	66	511210	Bobbin Winder Pulley Spacing Washer			
33	148509-452	Bed Extension Cushion (rubber)						
34	114111-830	Bed Extension Locking Lever Stud Collar Set Screw						

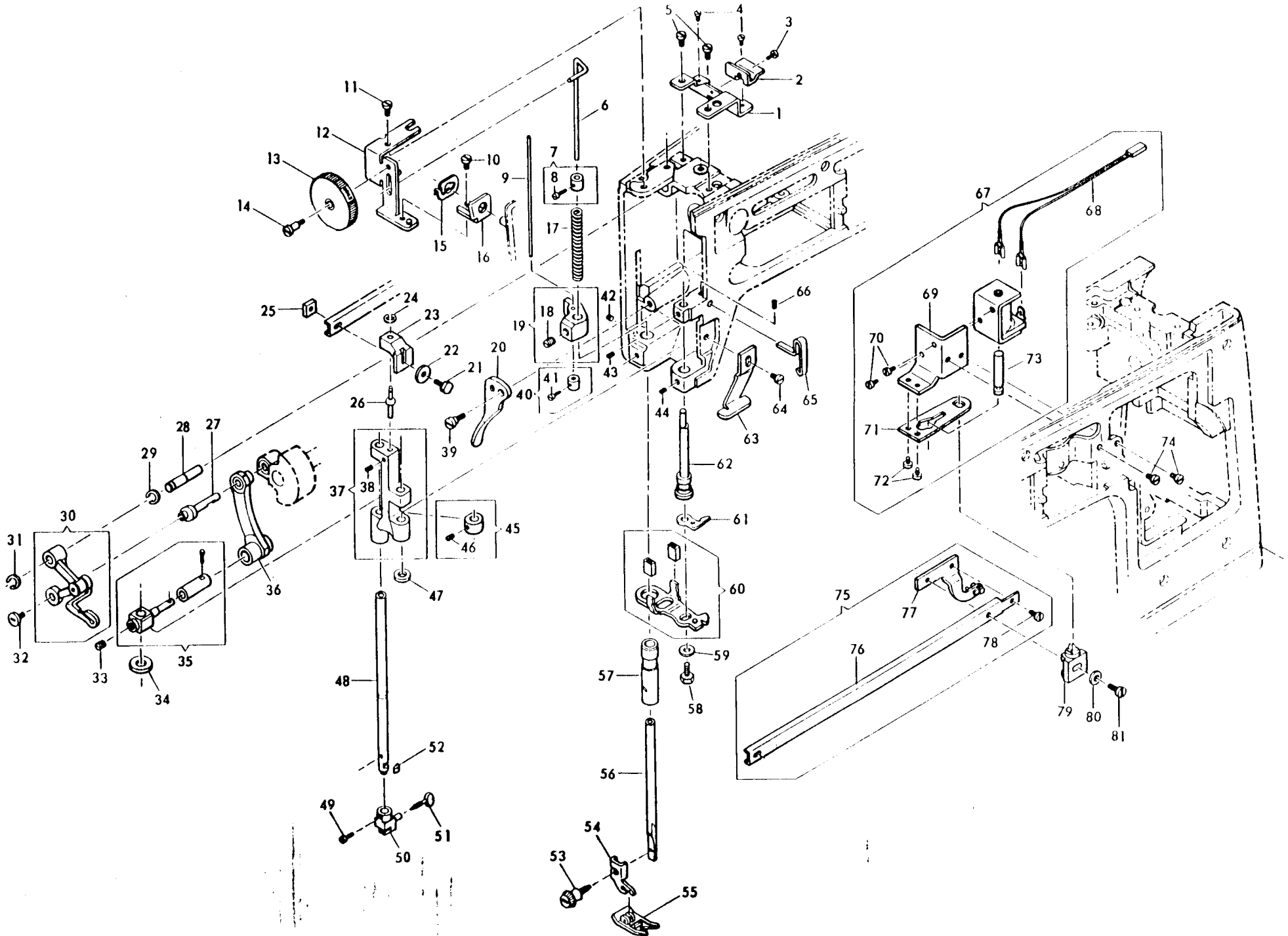
# List of Parts-560 J Machine (HOOK AR L A)



## List of Parts-560 J Machine (HOOK AREA)

REF. NO.	PART NO.	DESCRIPTION	REF. NO.	PART NO.	DESCRIPTION	REF. NO.	PART NO.	DESCRIPTION
1	172336	Rotating Hook Bobbin (plastic)	10	103372	Rotating Hook	23	114157-869	Rotating Hook Bevel Gear Set Screw (2)
2	310885	Rotating Hook Bobbin Case with 139975-803 and 354183-451	11	310791	Throat Plate Clamp	24	116084	Rotating Hook Collar with 114312-451
3	139975-803	Rotating Hook Bobbin Case	12	310908	Rotating Hook Bobbin Case Retaining Plate	25	319735	Rotating Hook Bobbin Case Retaining Plate Stud Spring
4	354183-451	Tension Spring Segment Screw	13	116087	Rotating Hook Flanged Bushing (eccentric)	26	319737	Rotating Hook Bobbin Case Retaining Plate Stud Washer
5	354229-451	Rotating Hook Bobbin Case Position Plate and Retaining Plate (adjustable) Adjusting Screw (back)	14	114280-451	Rotating Hook Flanged Bushing (eccentric) Set Screw	27	319736	Rotating Hook Bobbin Case Retaining Plate Stud Clip
6	354227-451	Rotating Hook Bobbin Case Position Plate and Retaining Plate (adjustable) Screw (front)	15	354133-451	Rotating Hook Flanged Bushing (eccentric) Position Screw	28	153929	Throat Plate Clamp Releasing Lever
7	381903	Rotating Hook Bobbin Case Retaining Plate (adjustable)	16	354134-451	Bed Slide Spring Screw (2)	29	103585	Throat Plate Clamp Releasing Lever Hinge Screw Washer
8	44873	Rotating Hook Bobbin Case Position Plate	17	103344	Bed Slide Spring	30	139894-451	Throat Plate Clamp Releasing Lever Hinge Screw
9	354229-451	Rotating Hook Bobbin Case Position Plate Screw	18	312081	Throat Plate	31	153930	Throat Plate Clamp Spring
			19	116080	Bed Slide	32	604699-001	Straight Stitch Safety Switch Harness & Mounting Bracket
			20	312177	Harness Tubing Clip (for Safety Switch)	33	312136	Straight Stitch Safety Switch Actuating Plunger
			21	354501-451	Harness Tubing Clip Screw			
			22	103361	Rotating Hook Bevel Gear (plastic) with two 114157-869			

# List of Parts-560 J Machine (HEAD END)

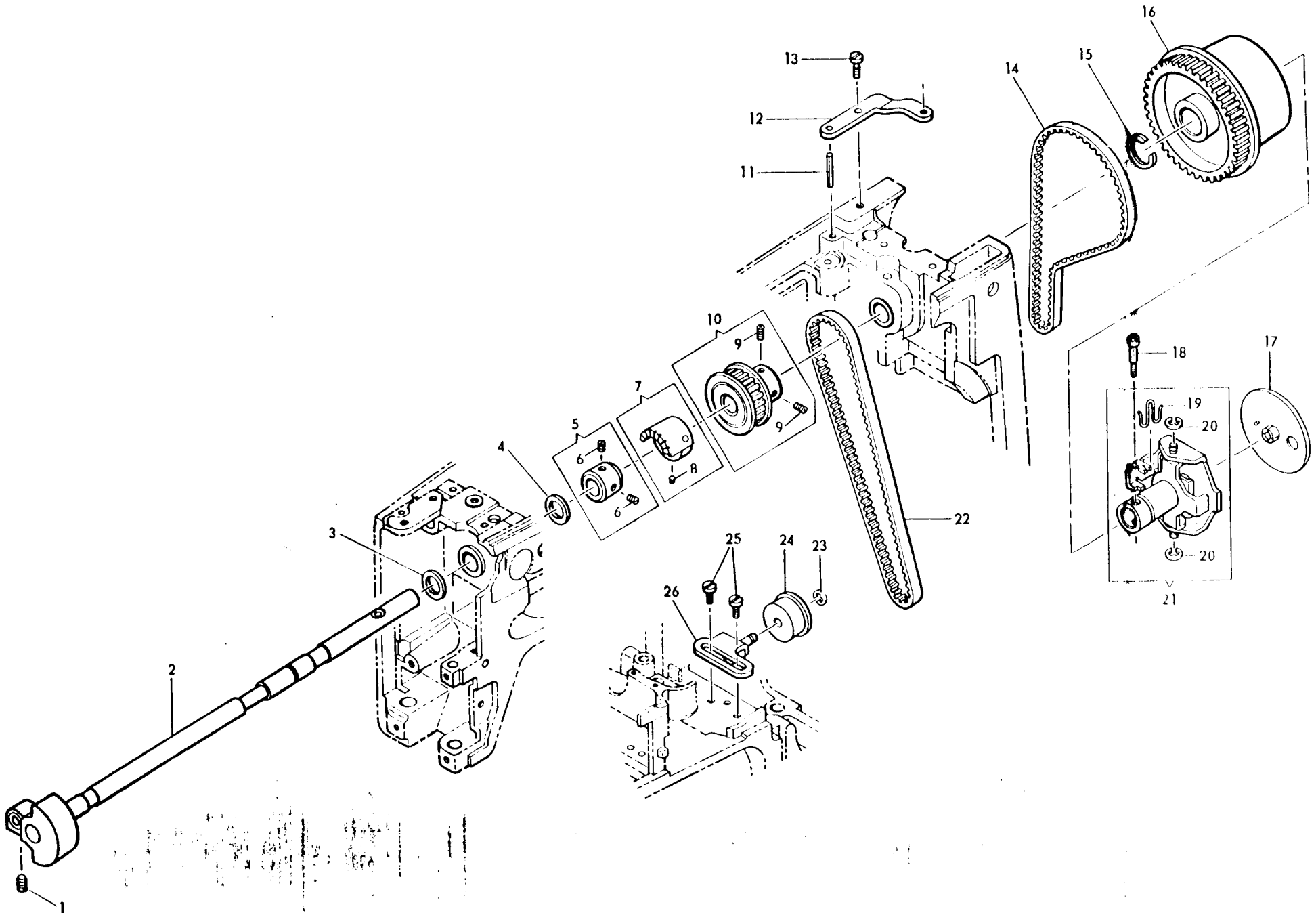


## List of Parts-560 J Machine (HEAD END)

REF. NO.	PART NO.	DESCRIPTION	REF. NO.	PART NO.	DESCRIPTION	REF. NO.	PART NO.	DESCRIPTION
1	312150	Logic/Servo P.C. Board Support Bracket	25	312146	Needle Bar Rocker Bracket Screw Nut	56	102810	Presser Bar
2	312187	Logic/Servo P.C. Board Heat Sink (left)	26	312142	Needle Bar Rocker Bracket Hinge Pin	57	179591	Presser Bar Bushing
3	354215-451	Logic/Servo P.C. Board Heat Sink (left) Mounting Screw	27	155476	Thread Take-Up Crank	58	114019-832	Needle Bar Stop and Thread Guide Screw
4	354215-451	Logic/Servo P.C. Board Screw (left) (?)	28	103737	Thread Take-Up Lever Link Hinge Stud	59	23258	Needle Bar Stop and Thread Guide Screw Washer
5	141872-814	Logic/Servo P.C. Board Support Bracket Screw (2)	29	179628	Thread Take-Up Lever Link Hinge Stud Retaining Ring	60	310744	Needle Bar Stop and Thread Guide
6	153737	Presser Bar Pressure Regulating Knob Follower Pin	30	116194	Thread Take-Up Lever Assembly	61	310915	Needle Bar Stop and Thread Guide Plate
7	153843	Presser Bar Pressure Regulating Knob Follower Pin Adjusting Collar with 114240-451	31	179628	Thread Take-Up Lever Link Hinge Stud Retaining Ring	62	99071	Needle Bar Rocker Eccentric Hinge Stud
8	114240-451	Presser Bar Pressure Regulating Knob Follower Pin Adjusting Collar Screw	32	50056-451	Thread Take-Up Lever Cap Screw	63	312157	Thread Wear Bar
9	153560	Tension Releasing Pin	33	1258-830	Needle Bar Clamping Screw	64	114152-819	Thread Wear Bar Screw
10	114151-451	Face Plate and Presser Bar Regulating Knob Bracket Holder Screw	34	116222	Needle Bar Oil Retainer Washer (felt)	65	153911	Thread Take-Up Thread Guide
11	114152-819	Right Drive Linear Motor Bracket Mounting Screw (upper)	35	103291	Needle Bar Connecting Stud Assembly	66	50311-830	Thread Take-Up Thread Guide Set Screw
12	153653	Face Plate and Presser Bar Pressure Regulating Knob Bracket	36	102688	Needle Bar Connecting Link	67	312104	Needle Bar Driving Arm Positioning Solenoid Complete
13	153863-453	Presser Bar Pressure Regulating Knob	37	179565	Needle Bar Rocker with 50429-830	68	604735-001	Harness Complete (2-pin) (Straight Stitch Safety Solenoid to Logic/Servo Board)
14	141142-805	Presser Bar Pressure Regulating Knob Screw	38	50429-830	Needle Bar Rocker Bracket Hinge Pin Set Screw	69	312103	Needle Bar Driving Arm Positioning Solenoid Mounting Bracket
15	155805	Control Panel Fastener (top left)	39	85-805	Presser Bar Lifter Hinge Screw	70	354121-451	Needle Bar Driving Arm Positioning Solenoid Mounting Screw (2)
16	153652	Face Plate and Presser Bar Pressure Regulating Knob Bracket Holder	40	153663	Tension Releasing Pin Collar with 114240-451	71	382639	Needle Bar Driving Arm Positioning Lever
17	312282	Presser Bar Spring	41	114240-451	Tension Releasing Pin Collar Set Screw	72	354037-451	Needle Bar Driving Arm Positioning Lever Mounting Screw (2)
18	453-832	Presser Bar Guide Bracket Set Screw	42	51045-451	Presser Bar Bushing Set Screw	73	382640	Straight Stitch Safety Solenoid Plunger
19	153661	Presser Bar Guide Bracket with 453-832	43	140321-830	Needle Bar Rocker Eccentric Hinge Stud Set Screw	74	354090-451	Needle Bar Driving Arm Positioning Solenoid Mounting Bracket Screw (2)
20	310708	Presser Bar Lifter	44	140321-830	Needle Bar Rocker Eccentric Hinge Stud Set Screw	75	312171	Needle Bar Driving Arm Assembly
21	141858-814	Needle Bar Rocker Bracket Screw	45	179567	Needle Bar Rocker Collar with 50150-830	76	312097	Needle Bar Driving Arm
22	312257	Needle Bar Rocker Bracket Screw Washer	46	50150-830	Needle Bar Rocker Collar Set Screw	77	312197	Needle Bar Driving Arm Extension with Molded Plastic Socket
23	312141	Needle Bar Rocker Bracket (plastic)	47	179574	Needle Bar Rocker Thrust Washer	78	141697-451	Needle Bar Driving Arm Extension Screw
24	507563	Needle Bar Rocker Bracket Hinge Pin Retaining Ring	48	102522	Needle Bar	79	312100	Needle Bar Driving Arm Positioning Stud (plastic)
			49	141031-855	Needle Clamp and Needle Stop Screw	80	312257	Needle Bar Driving Arm Positioning Stud Screw Washer
			50	310847	Needle Clamp Body	81	354236-451	Needle Bar Driving Arm Positioning Stud Screw
			51	140751-851	Needle Thumb Screw			
			52	102523	Needle Bar Gib			
			53	354135-451	Presser Foot Thumb Screw			
			54	155964	Presser Foot Shank (snap-on)			
			55	155962	Presser Foot Plate (snap-on) for Zig-Zag Sewing			



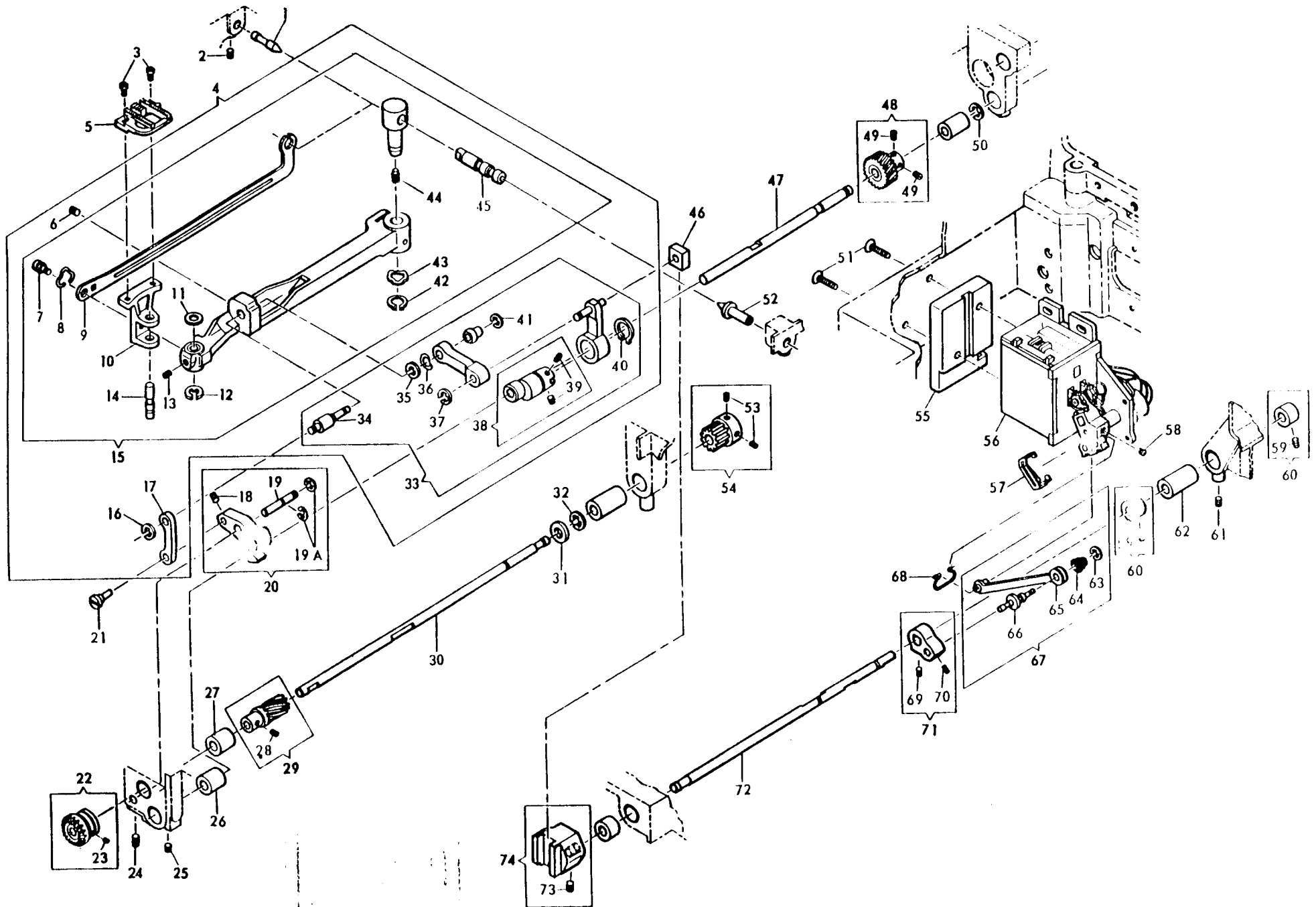
# List of Parts-560 J Machine (ARM SHAFT AND HAND WHEEL)



## List of Parts-560 J Machine (ARM SHAFT AND HAND WHEEL)

REF. NO.	PART NO.	DESCRIPTION	REF. NO.	PART NO.	DESCRIPTION	REF. NO.	PART NO.	DESCRIPTION
1	1258-830	Needle Bar Clamping Screw	11	153924	Arm Top Cover Mounting	20	319561	Hand Wheel Disengaging Clutch
2	312112	Arm Shaft (horizontal)			Bracket Locating Pin			Engaging Plate Hinge Pin
3	163990	Needle Bar Crank Washer (plastic)	12	153533	Arm Top Cover Mounting Bracket			Retaining Ring (2)
4	163990	Arm Shaft (horizontal) Collar Thrust Washer (plastic)	13	141959-451	Arm Top Cover Mounting Bracket Screw	21	103881	Hand Wheel Disengaging Clutch Mechanism Complete
5	103310	Arm Shaft (horizontal) Collar	14	603975-003	Motor Drive Belt	22	153343	Belt
6	114024-453	Arm Shaft (horizontal) Collar Set Screw	15	319563	Hand Wheel Retaining Ring	23	151576	Belt Idler Pulley Retaining Ring
7	312273	Shunt Assembly	16	310858-452	Hand Wheel (plastic)	24	382255	Belt Idler Pulley
8	354506-451	Shunt Holder Set Screw	17	103739-454	Hand Wheel Disengaging Clutch Engaging Plate Cover	25	114300-451	Belt Idler Pulley Mounting Bracket Screw
9	114133-869	Arm Shaft (horizontal) Belt Drive Pulley Set Screw	18	139983-452	Hand Wheel Disengaging Clutch Bushing Screw	26	312109	Belt Idler Pulley Mounting Bracket
10	153330	Arm Shaft (horizontal) Belt Drive Pulley	19	310806	Hand Wheel Disengaging Clutch Actuating Spring			

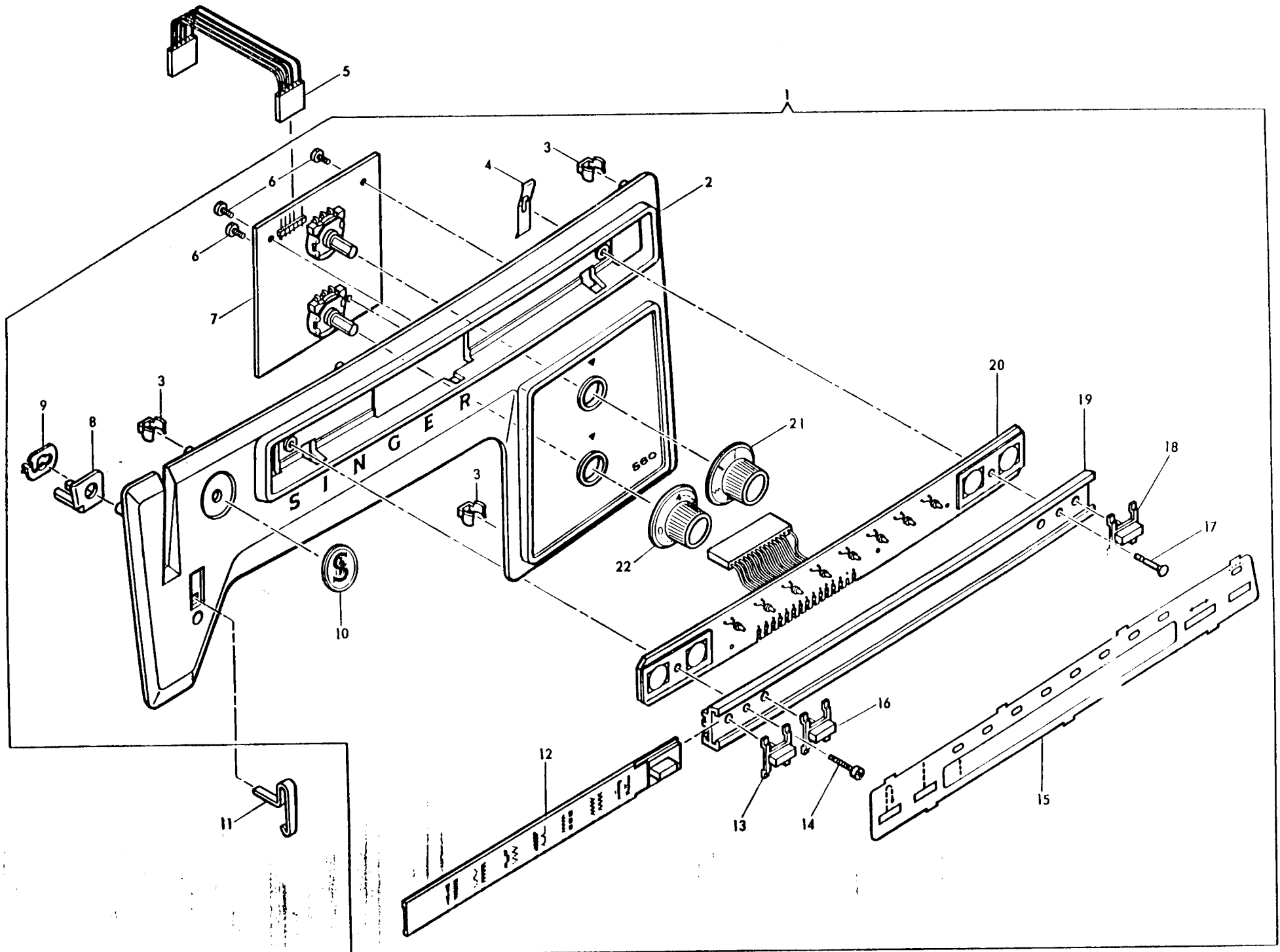
# List of Parts-560 J Machine (FEED CONTROL MECHANISM)



## List of Parts-560 J Machine (FEED CONTROL MECHANISM)

REF. NO.	PART NO.	DESCRIPTION	REF. NO.	PART NO.	DESCRIPTION	REF. NO.	PART NO.	DESCRIPTION
1	511233	Feed Bar Guide Pin (eccentric) Center (back)	29	153490	Rotating Hook Drive Shaft Gear (plastic)	55	312115	Feed Drive Linear Motor Mounting Spacer (plastic)
2	114234-451	Feed Bar Guide Pin (eccentric) Center (back) Set Screw	30	116197	Rotating Hook Drive Shaft	56	312217	Feed Drive Linear Motor Assembly with 354580-451
3	379505-451	Feed Dog Screw (2)	31	116073	Rotating Hook Drive Shaft Retaining Ring Washer	57	312270	Needle Bar Driving Arm Extension Retaining Spring
4	103648	Feed Bar Assembly	32	511213	Rotating Hook Drive Shaft Retaining Ring	58	354580-451	Feed Drive Linear Motor Potentiometer Driving Lever Set Screw
5	103377	Feed Dog	33	116082	Feed Bar Connection Assembly	59	50311-830	Feed Regulator Shaft Collar (left and right) Set Screw (2)
6	448-830	Feed Bar Connection and Feed Lifting Fork Connection Hinge Stud (eccentric) Set Screw	34	511044	Feed Bar Connection and Feed Lifting Fork Connection Hinge Stud (eccentric)	60	511039	Feed Regulator Shaft Collar (left and right) (2)
7	500356-850	Feed Dog Holder Compensating Link Screw Stud	35	511213	Feed Bar Connection and Feed Lifting Fork Connection Hinge Stud (eccentric) Retaining Ring	61	114234-451	Feed Regulator Shaft Bushing (right) Set Screw
8	312284	Feed Dog Holder Compensating Link Retaining Spring	36	507722	Feed Bar Connection Spring Washer	62	511024	Feed Regulator Shaft Bushing (right)
9	174216	Feed Dog Holder Compensating Link	37	511213	Feed Regulator Slide Block Stud Retaining Ring	63	381726	Feed Regulator Shaft Crank Connecting Link Tension Spring Retaining Ring
10	511051	Feed Dog Holder	38	310753	Feed Lifting Cam and Feed Eccentric with two 141338-869	64	382602	Feed Regulator Shaft Crank Connecting Link Tension Spring
11	511210	Feed Dog Holder Washer	39	141338-869	Feed Lifting Cam and Feed Eccentric Set Screw	65	312181	Feed Regulator Shaft Crank Connecting Link with Molded Plastic Socket and Ball
12	511213	Feed Dog Holder Stud Retaining Ring	40	103380	Feed Lifting Cam and Feed Eccentric Retaining Ring	66	382894	Feed Regulator Shaft Crank Hinge Stud (eccentric)
13	624-830	Feed Dog Holder Stud Screw	41	319561	Feed Bar Connection Ball Bearing Retaining Ring	67	312253	Feed Regulator Shaft Connecting Link Assembly
14	511052	Feed Dog Holder Stud	42	511413	Feed Bar Guide Hinge Pin Retaining Ring	68	312220	Feed Regulator Shaft Connecting Link Retaining Clip
15	511183	Feed Bar Sub-Assembly	43	511211	Feed Bar Guide Hinge Pin Spring Washer	69	139878-869	Feed Regulator Shaft Crank Set Screw
16	319561	Feed Lifting Fork Connection Retaining Ring	44	500355-451	Feed Bar Guide Hinge Pin Lock Screw	70	354575-451	Feed Regulator Shaft Crank Hinge Stud (eccentric) Set Screw
17	511016	Feed Lifting Fork Connection	45	511038	Feed Bar Guide Pin (eccentric)	71	312143	Feed Regulator Shaft Crank
18	50311-830	Feed Lifting Fork Connection Hinge Stud (eccentric) Set Screw	46	511030	Feed Regulator Slide Block	72	312107	Feed Regulator Shaft
19	511057	Feed Lifting Fork Hinge Stud	47	153356	Feed Drive Shaft	73	141818-869	Feed Regulator Set Screw
19A	511213	Feed Lifting Fork Hinge Stud Retaining Ring (2)	48	153487	Feed Drive Shaft Gear (plastic) with two 141738-869	74	382918	Feed Regulator with 141818-869
20	103775	Feed Lifting Fork Assembly	49	141738-869	Feed Drive Shaft Gear (plastic) Set Screw (2)			
21	511056	Feed Lifting Fork Connection Hinge Stud (eccentric)	50	511213	Feed Drive Shaft Retaining Ring			
22	103363	Rotating Hook Drive Shaft Bevel Gear (front, plastic)	51	354567-451	Feed Drive Linear Motor Mounting Sorew (2)			
23	114157-869	Rotating Hook Drive Shaft Bevel Gear Set Screw	52	116235	Feed Bar Guide Pin (eccentric) Center (front) with 502744			
24	114234-451	Feed Lifting Fork Hinge Stud Set Screw	53	141338-869	Rotating Hook Drive Shaft Belt Pulley Set Screw			
25	354085-451	Feed Drive Shaft Bushing (front) Set Screw	54	116199	Rotating Hook Drive Shaft Belt Pulley with two 141338-869			
26	153360	Feed Drive Shaft Bushing (front)						
27	153383	Rotating Hook Drive Shaft Bushing (front)						
28	141738-869	Rotating Hook Drive Shaft Gear (plastic) Set Screw						

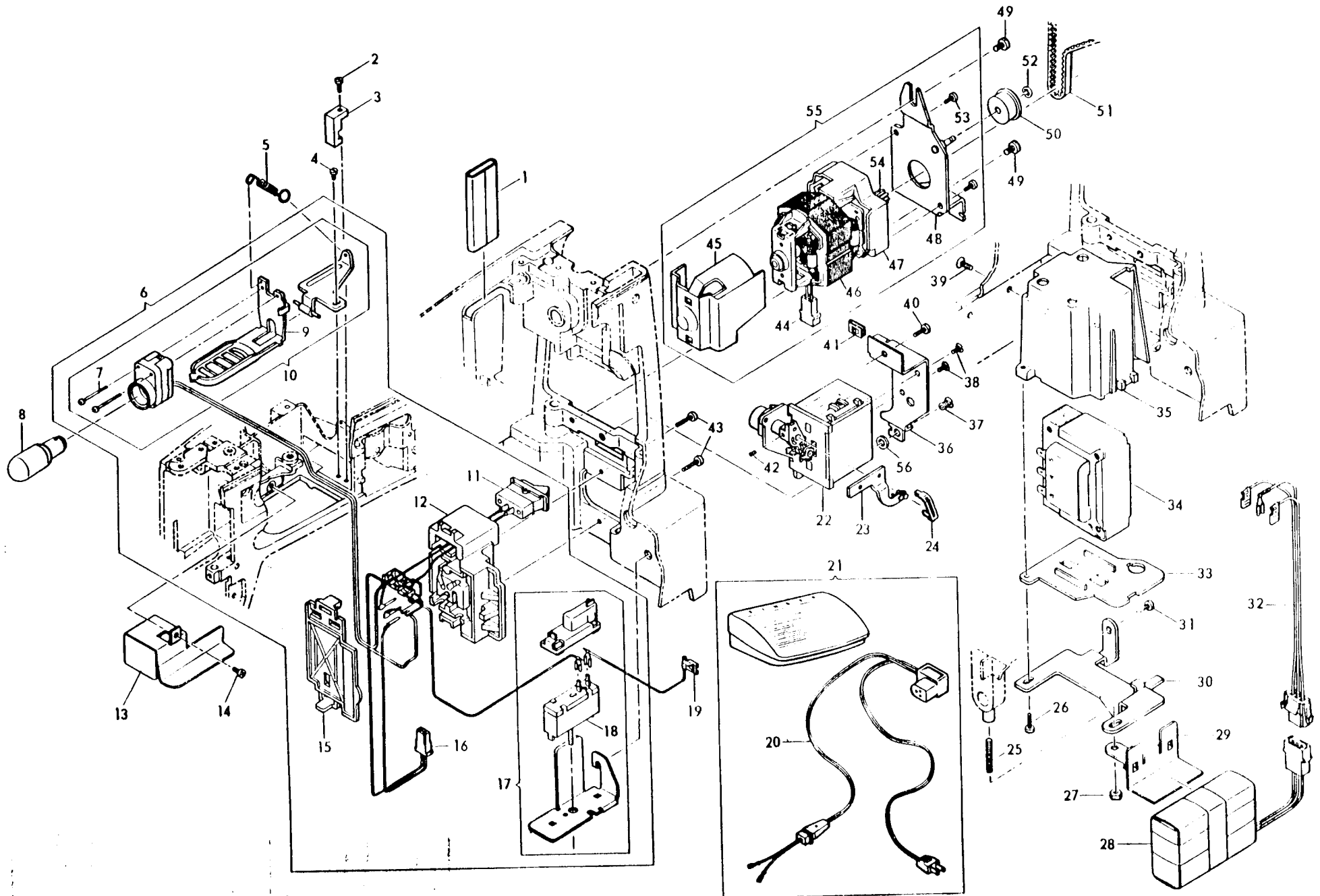
# List of Parts-560 J Machine (CONTROL PANEL)



## List of Parts-560 J Machine (CONTROL PANEL)

REF. NO.	PART NO.	DESCRIPTION	REF. NO.	PART NO.	DESCRIPTION	REF. NO.	PART NO.	DESCRIPTION
1	604697-001	Control Panel Assembly	8	153652	Face Plate and Presser Bar	15	311912	Pattern Selector Control Window
2	311888	Control Panel			Pressure Regulating Knob	16	311911	Control System Switch Button (straight stitch) (plastic)
3	103761	Control Panel Fastener (4)	9	155805	Bracket Holder	17	312169	Control System Mounting
4	312170	Control System Mounting Frame	10	174446	Control Panel Fastener (top left)	18	311911	Control System Mounting Frame Retaining Stud
5	604737-001	Retaining Stud Clip	11	153911	Control Panel Medallion (adhesive backed)	19	311907	Control System Switch Button (pattern selector) (plastic)
		Harness Complete (six pin) (bight/feed board to logic/servo board)	12	312258	Thread Take-Up Thread Guide	20	604688-003	Control System Mounting Frame
6	354465-451	Board Mounting Screw (3)	13	311911	Pattern Selector Control Slide (with graphics)	21	312261-451	Pattern Selector P.C. Board Assembly
7	604698-002	Bight and Feed Control P.C. Board Assembly	14	354536-451	Control System Switch Button (reverse) (plastic)	22	312263-451	Bight Control Dial Complete
					Pattern Selector Control Slide Mounting Screw			Feed Control Dial Complete

# List of Parts-560 J Machine (ELECTRICAL PARTS)

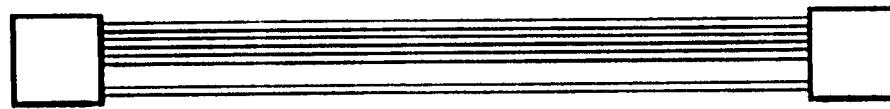
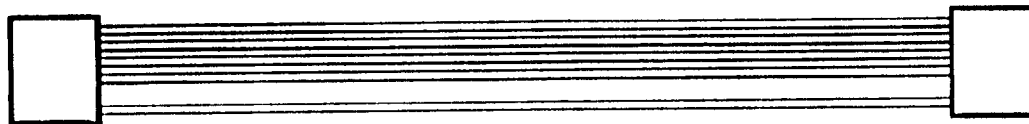
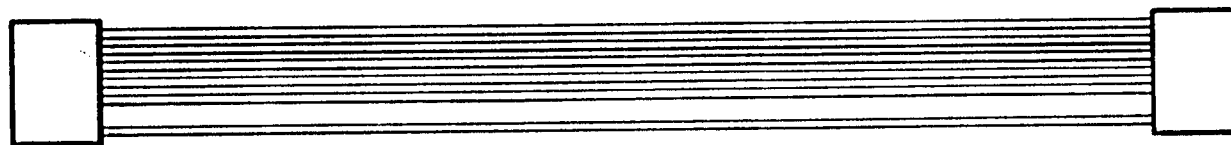
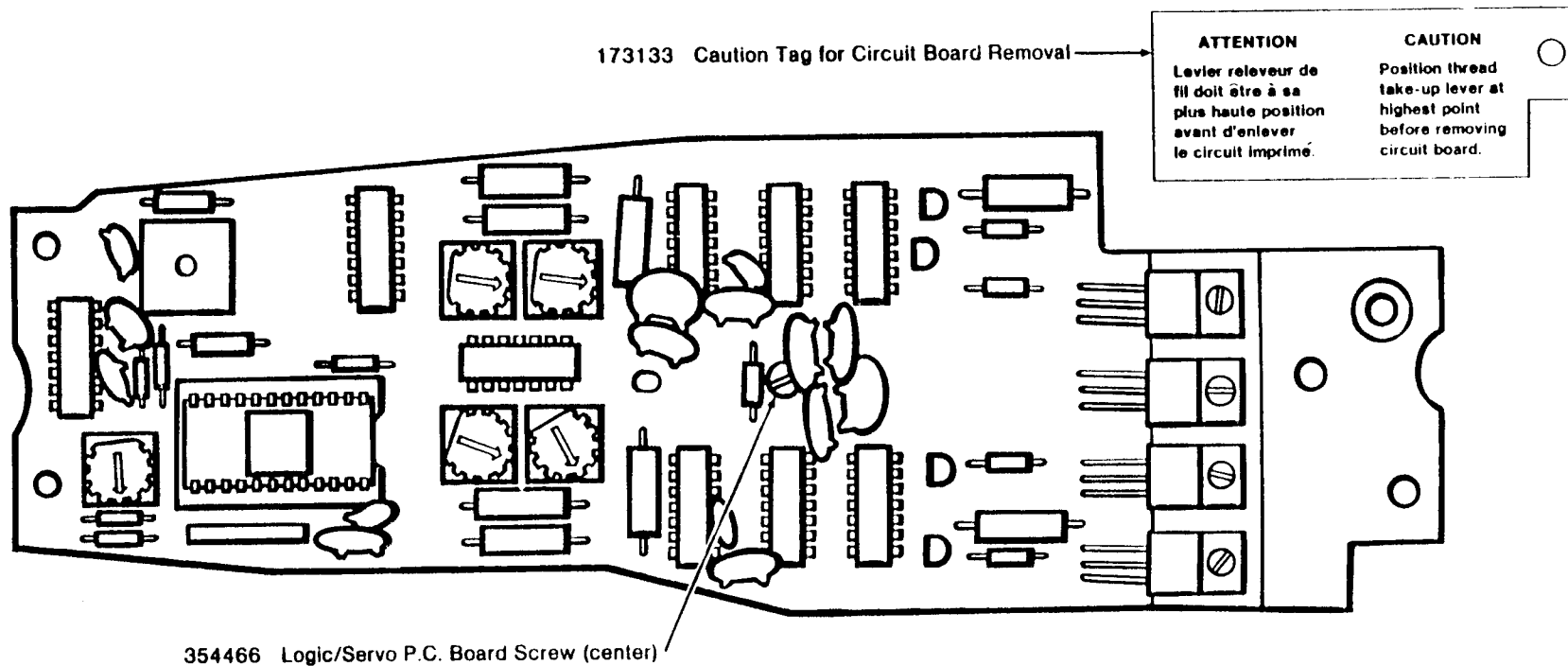


## List of Parts-560 J Machine (ELECTRICAL PARTS)

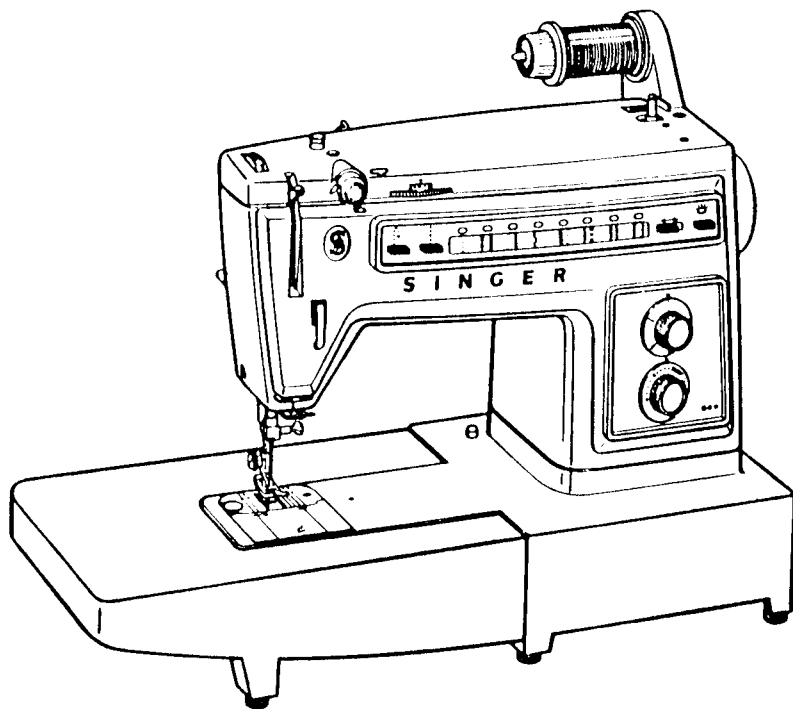
REF. NO.	PART NO.	DESCRIPTION	REF. NO.	PART NO.	DESCRIPTION	REF. NO.	PART NO.	DESCRIPTION
1	604893-001	Insulation Channel	24	312270	Needle Bar Driving Arm	39	354614-451	Transformer Housing Screw
2	190-819	Light Lead Clamp Screw	25	354558-451	Extension Retaining Clip	40	114152-819	Bight Drive Linear Motor
3	312232	Light Lead Clamp (plastic)			Bed Cover Plate (bottom)			Bracket Mounting Screw (upper)
4	114012	Light Fixing Screw			and Capacitor Clip Support	41	312180	Arm End Cover Plate Screw
5	312148	Light Guard Retaining Spring			Screw			(upper) Retaining Clip
6	604855-002	Switch Module Assembly Complete	26	139986-451	Transformer Housing Cover	42	354574-451	Bight Drive Linear Motor
7	50577-015	Light Guard Screw (2)	27	179732-451	Strap Screw (left)			Potentiometer Driving Lever
8	777910-001	Lamp	28	604701-001	Nut			Set Screw
9	604869-001	Light Guard			Capacitor with Harness and	43	114187-451	Light Switch Module Mounting
10	604870-002	Light Holder and Lead Assembly			Housing Assembly			Screw (lower and upper) (2)
11	103513-003	Switch and Lead Assembly	29	312145	Capacitor Shield Clip	44	604919-001	Lead with Contact Pins
12	103418	Switch Module	30	312175	Transformer Housing Cover Strap	45	604696-001	Motor Insulator
13	312152	Light Shield	31	604617-001	Transformer Housing Cover	46	604573-011	Motor Module
14	109962	Light Shield Screw			Strap Screw (right)	47	604835-001	Commutator End Housing
15	103420-001	Switch Module Cover	32	604731-001	Harness Complete (capacitors to logic/servo board)	48	312114	Motor Mounting Bracket
16	604918-001	Motor Disconnect Harness	33	312120	Transformer Housing Cover	49	704-805	Motor Mounting Bracket Screw (2)
17	604843-001	Circuit Breaker Assembly	34	605546-001	Transformer	50	382255	Belt Idler Pulley
18	605522-001	Circuit Breaker	35	312119	Transformer Housing	51	604977-001	Motor Drive Belt
19	604776-001	Lead with Receptacle	36	312096	Bight Drive Linear Motor	52	151576	Belt Idler Pulley Retaining Ring
20	604118-001	Line and Controller Cords For U.S.A. and Canada	37	354524-451	Bracket	53	604617-001	Screw (self tapping) (2)
21	619494-0G2	Foot Controller	38	354559-451	Bight Drive Linear Motor	54	604545-001	Pulley
22	312216	Bight Drive Linear Motor Assembly			Bracket Mounting Screw (lower)	55	604850-003	Motor Complete
23	312197	Needle Bar Driving Arm Extension with Molded Plastic			Bight Drive Linear Motor Mounting Screw (2)	56	706382	Bight Linear Motor Bracket
								Spacer Washer (temporary used on first version)
<b>UNIQUE PARTS FOR:</b>			<b>UNIQUE PARTS FOR:</b>			<b>UNIQUE PARTS FOR:</b>		
240 VOLTS			220 VOLTS			220 VOLTS		
<u>ELECTRICS FOR AUSTRALIA</u>			<u>ELECTRICS FOR NEW ZEALAND</u>			<u>ELECTRICS FOR SOUTH AFRICA</u>		
6	604855-003	Switch Module Assembly Complete	6	604855-005	Switch Module Assembly Complete	6	604855-004	Switch Module Assembly Complete
10	604870-003	Light Holder and Lead Assembly	10	604870-004	Light Holder and Lead Assembly	21	103435-009	Foot Controller
17	503247-931	Circuit Breaker Assembly (temporary number)	21	103435-007	Foot Controller			or
18	503247-001	Circuit Breaker			619494			Foot Controller
19	604933-901	Lead with Receptacle (circuit board to transformer)	34	503250-005	Transformer	34	503250-001	Transformer
21	103435-004	Foot Controller	55	604850-004	Motor Complete MAJ3-12	55	604850-001	Motor Complete MAJ3-11
		or						
		619494						
34	503250-005	Transformer						
46	604573-012	Motor Module						
55	604850-004	Motor Complete MAJ3-12						
			NOTE: For New Zealand and South Africa, Parts Not Listed Same as for Australia					



# List of Parts-560J Machine (604702-002 LOGIC/SERVO P.C. BOARD)



# Supplemental List of Parts-560 J Machine



## ATTACHMENT SET 381220

- |            |   |
|------------|---|
| 153267     | Presser Foot Plate (snap-on) for Straight Sewing                      |
| 161613     | Presser Foot for Button Sewing  |
| 161927     | Presser Foot Plate (snap-on, plastic) for Sewing Buttonholes          |
| 171392     | Throat Plate for Straight Sewing                                      |
| 171498     | Special Purpose Presser Foot Plate (snap-on, plastic)                 |
| 172007     | Spool Pin (plastic) for Twin Needle Sewing                            |
| 172336     | Bobbin (3) (plastic)  |
| 319914     | Spool Pin Washer (felt)   |
| 381213     | Blind Stitch Guide (non-adjustable)                                   |
| 381251     | Needle Pack   |
| 381253     | Feed Cover Plate  |
| 381263-451 | Attachment Box Complete   |
| 507664-455 | Arm Top Cover Spool Pin Thread Lead-Off (small, plastic)              |
| 507836     | Presser Foot Plate (snap-on, plastic) for Cording and Slide Fasteners |



# List of Parts-560 J Machine

**NOTE:** The reference and part numbers shown below are to be used in place of previous numbers listed.

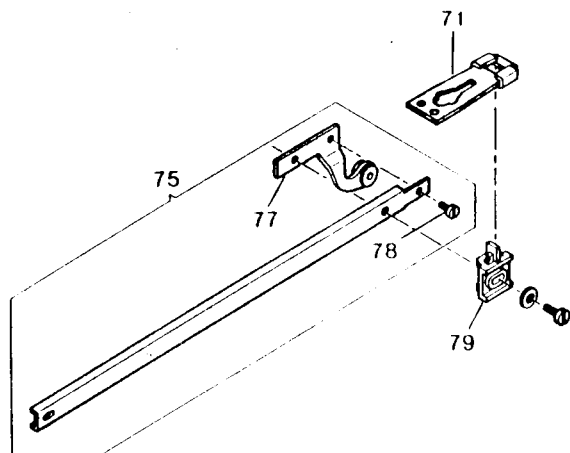
## COVERS (Supplement to Pages 2 and 3)

NO.	PART NO.	DESCRIPTION
1	153803-452	Tension Assembly Complete
42	312131-451	Bed Cover Plate (bottom) (plastic)
47	312336	Thread Take-up Spring
51	153739-454	Tension Cap and Slack Thread Regulator Nut Decal (adhesive backed)
72	507139-454	Arm Top Cover Spool Pin (plastic)

## HOOK AREA (Supplement to Pages 4 and 5)

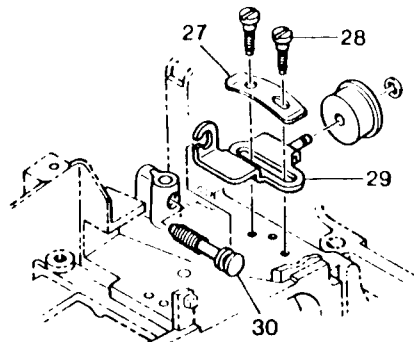
NO.	PART NO.	DESCRIPTION
10	312348	Rotating Hook
26	319737-451	Rotating Hook Bobbin Case Retaining Plate Slud Washer

## HEAD END (Supplement to Pages 6 and 7)



NO.	PART NO.	DESCRIPTION
8	114240-452	Presser Bar Pressure Regulating Knob Follower Pin Adjusting Collar Screw
13	153666-454	Presser Bar Pressure Regulating Knob
51	140751-454	Needle Thumb Screw
65	DELETE	Shown on Page 12 as No. 11
66	DELETE	
71	312325	Needle Bar Driving Arm Positioning Lever
75	312332	Needle Bar Driving Arm Assembly
77	312328	Needle Bar Driving Arm Extension with Molded Plastic Socket
78	141697-814	Needle Bar Driving Arm Extension Screw
79	312326	Needle Bar Driving Arm Positioning Stud (plastic)

## ARM SHAFT AND HAND WHEEL (Supplement to Pages 8 and 9)



NO.	PART NO.	DESCRIPTION
14	603975-005	Motor Drive Belt
27	312243	Belt Idler Pulley Mounting Bracket Screw Friction Spring
28	354582-451	Belt Idler Pulley Mounting Bracket Screw
29	312224	Belt Idler Pulley Mounting Bracket Assembly
30	354583-451	Belt Idler Mounting Bracket Adjusting Screw

# List of Parts-560 J Machine

620 173745660

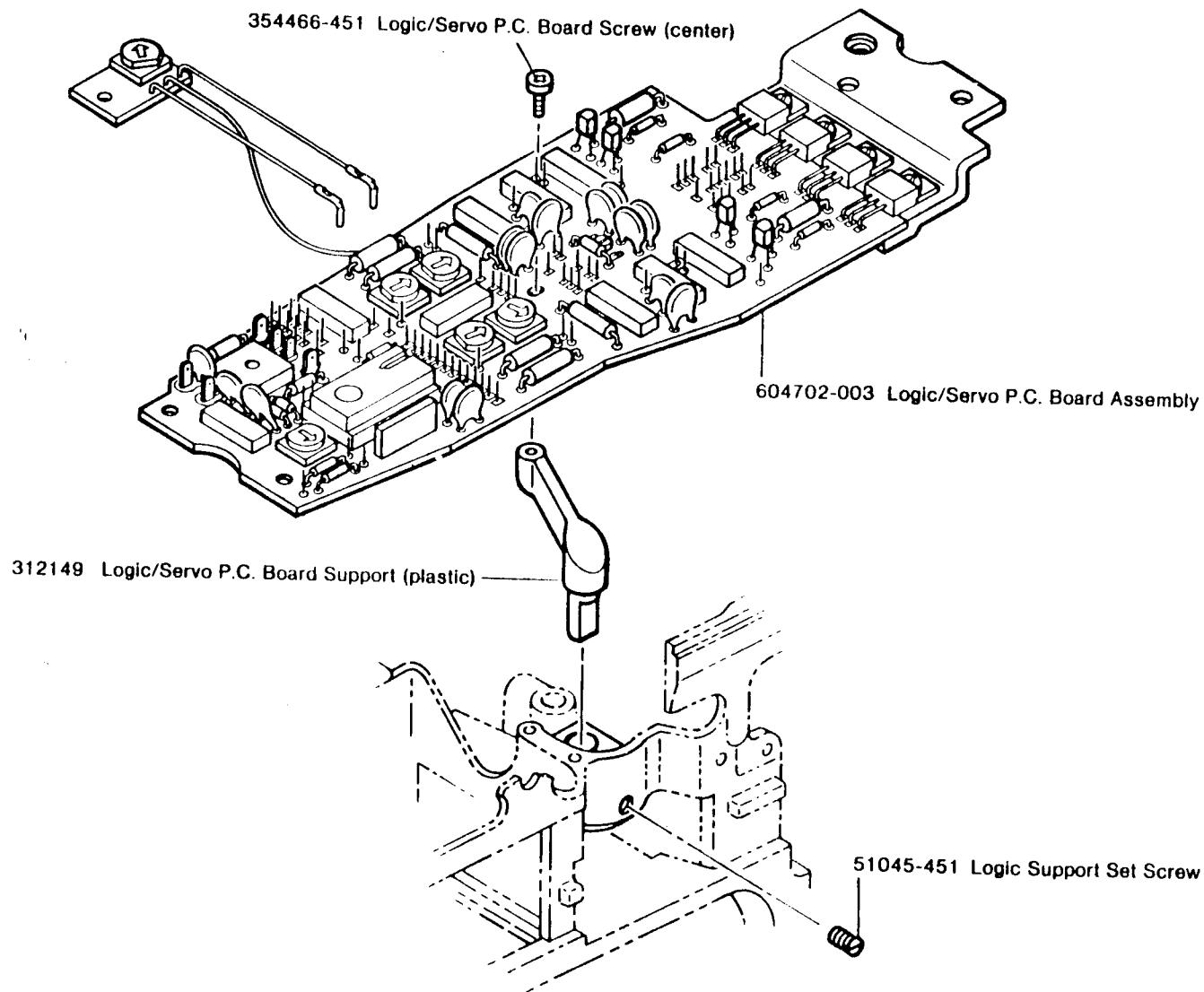
## 220 VOLTS ELECTRICS FOR EUROPE

604850-001	Motor Complete MA3-11
619494-122	Controller Complete
604855-004	Switch Module Assembly Complete
604870-004	Light Assembly Complete
503250-001	Transformer

# List of Parts-560 J Machine

**NOTE:** The reference and part numbers shown below are to be used in place of previous numbers listed.

(Supplement To Page 16)

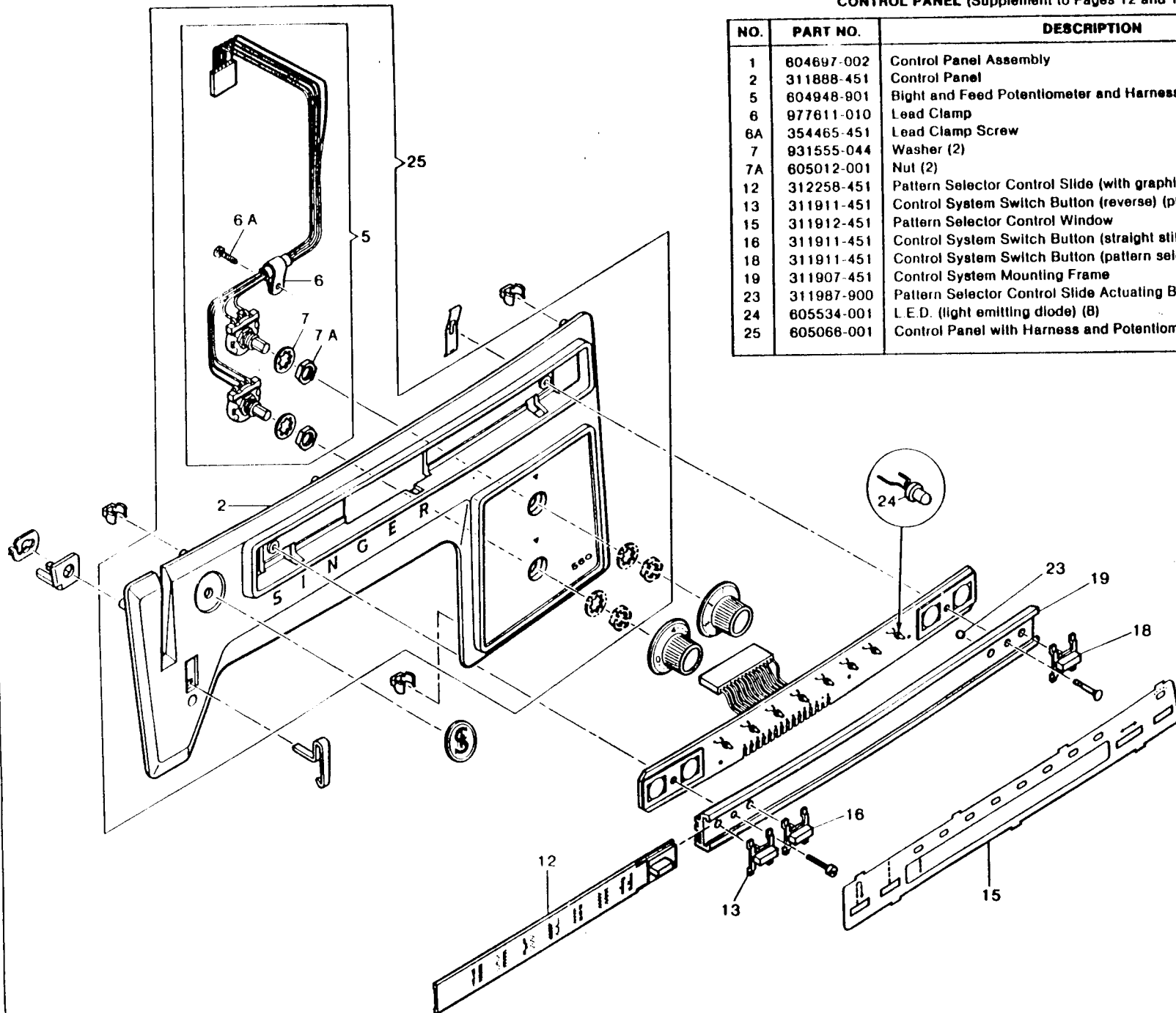


# List of Parts-560 J Machine

**NOTE:** The reference and part numbers shown below are to be used in place of previous numbers listed

## CONTROL PANEL (Supplement to Pages 12 and 13)

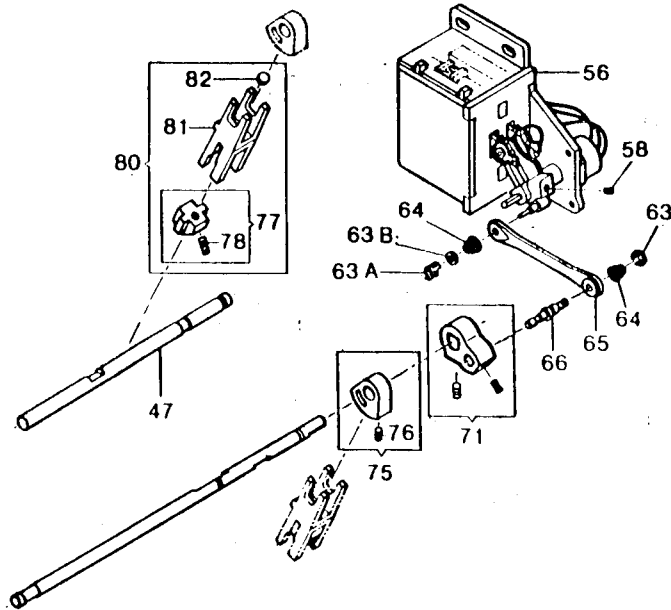
NO.	PART NO.	DESCRIPTION
1	804697-002	Control Panel Assembly
2	311888-451	Control Panel
5	604948-901	Bight and Feed Potentiometer and Harness Assembly
6	977611-010	Lead Clamp
6A	354465-451	Lead Clamp Screw
7	931555-044	Washer (2)
7A	605012-001	Nut (2)
12	312258-451	Pattern Selector Control Slide (with graphics)
13	311911-451	Control System Switch Button (reverse) (plastic)
15	311912-451	Pattern Selector Control Window
16	311911-451	Control System Switch Button (straight stitch) (plastic)
18	311911-451	Control System Switch Button (pattern selector) (plastic)
19	311907-451	Control System Mounting Frame
23	311987-900	Pattern Selector Control Slide Actuating Ball
24	605534-001	L.E.D. (light emitting diode) (B)
25	605068-001	Control Panel with Harness and Potentiometers



# List of Parts-560 J Machine

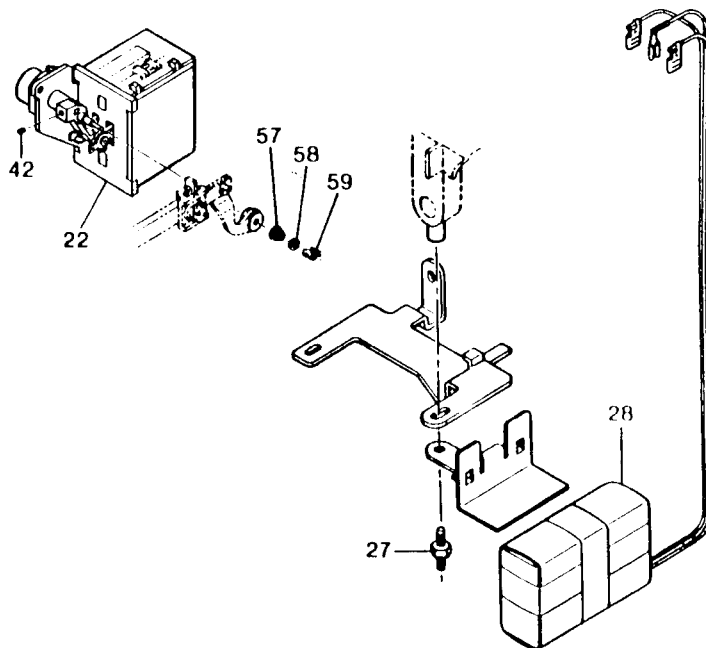
NOTE: The reference and part numbers shown below are to be used in place of previous numbers listed.

## FEED CONTROL MECHANISM (Supplement to Pages 10 and 11)



NO.	PART NO.	DESCRIPTION
10	511051-902	Feed Dog Holder
47	312317	Feed Drive Shaft
56	312342	Feed Drive Linear Motor Assembly with 354660-451
57	DELETE	
58	354660-451	Feed Drive Linear Motor Potentiometer Driving Lever Set Screw
63A	382330	Feed Regulator Shaft Crank Connecting Link Retaining Clip (back)
63B	312347	Feed Regulator Shaft Crank Connecting Link Tension Spring (back) Retaining Washer
64	382602	Feed Regulator Shaft Crank Connecting Link Tension Spring (back and front)(2)
65	312339	Feed Regulator Shaft Crank Connecting Link with Molded Plastic Sockets
66	312349	Feed Regulator Shaft Crank Hinge Stud
67	DELETE	
68	DELETE	
71	382296-001	Feed Regulator Shaft Crank with 139878-869 and 354575-451
75	383079	Feed Regulator Shaft Brake with 354660-451
76	354660-451	Feed Regulator Shaft Brake Set Screw
77	383081	Feed Regulator Shaft Brake Adjusting Block with 354691-451
78	354691-451	Feed Regulator Shaft Brake Adjusting Block Set Screw
80	383083	Feed Regulator Shaft Brake Guide Assembly
81	383082	Feed Regulator Shaft Brake Guide (plastic)
82	383084	Feed Regulator Shaft Brake Guide Friction Pad (plastic)

## ELECTRICAL PARTS (Supplement to Pages 14 and 15)



NO.	PART NO.	DESCRIPTION
9	604869-002	Light Guard
12	103418-900	Switch Module
19	604778-901	Lead with Receptacle
22	312331	Bight Drive Linear Motor Assembly
24	DELETE	
25	DELETE	
27	354688-451	Bed Cover Plate (bottom) and Capacitor Clip Support Screw Stud
28	604701-002	Capacitor with Harness and Housing Assembly
32	DELETE	Combined with No. 604701-002
34	605546-003	Transformer
37	141959-451	Bight Drive Linear Motor Bracket Mounting Screw (lower)
42	354660-451	Bight Drive Linear Motor Potentiometer Driving Lever Set Screw
44	604919-901	Lead with Contact Pins
58	DELETE	
57	382602	Needle Bar Driving Arm Extension Spring
58	312347	Needle Bar Driving Arm Extension Retaining Washer
59	382330	Needle Bar Driving Arm Extension Retaining Clip