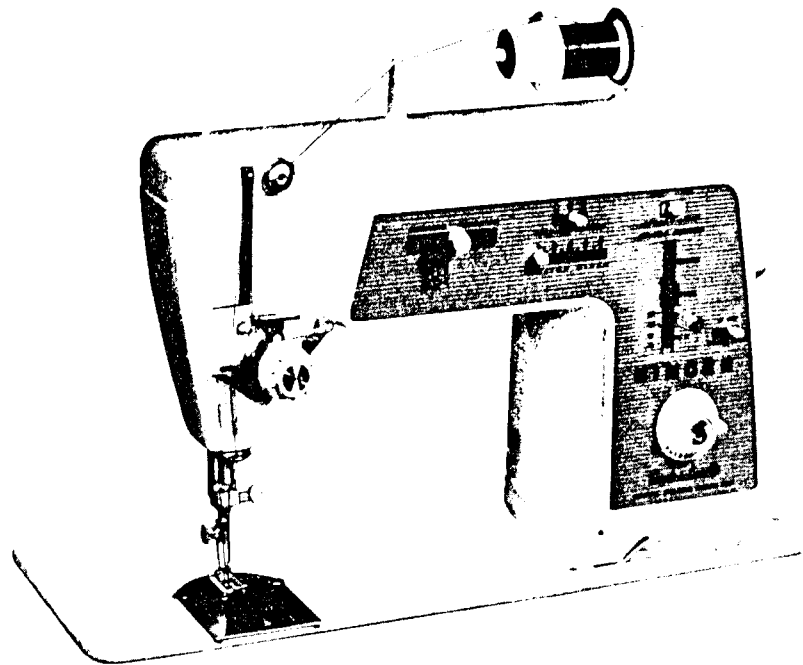


**SINGER**  
**636E3/636E6/636E7**

# List of Parts—Machines Nos. 636E3, 636E6 and 636E7

Machine No. 636E



## ATTACHMENT SET 161924

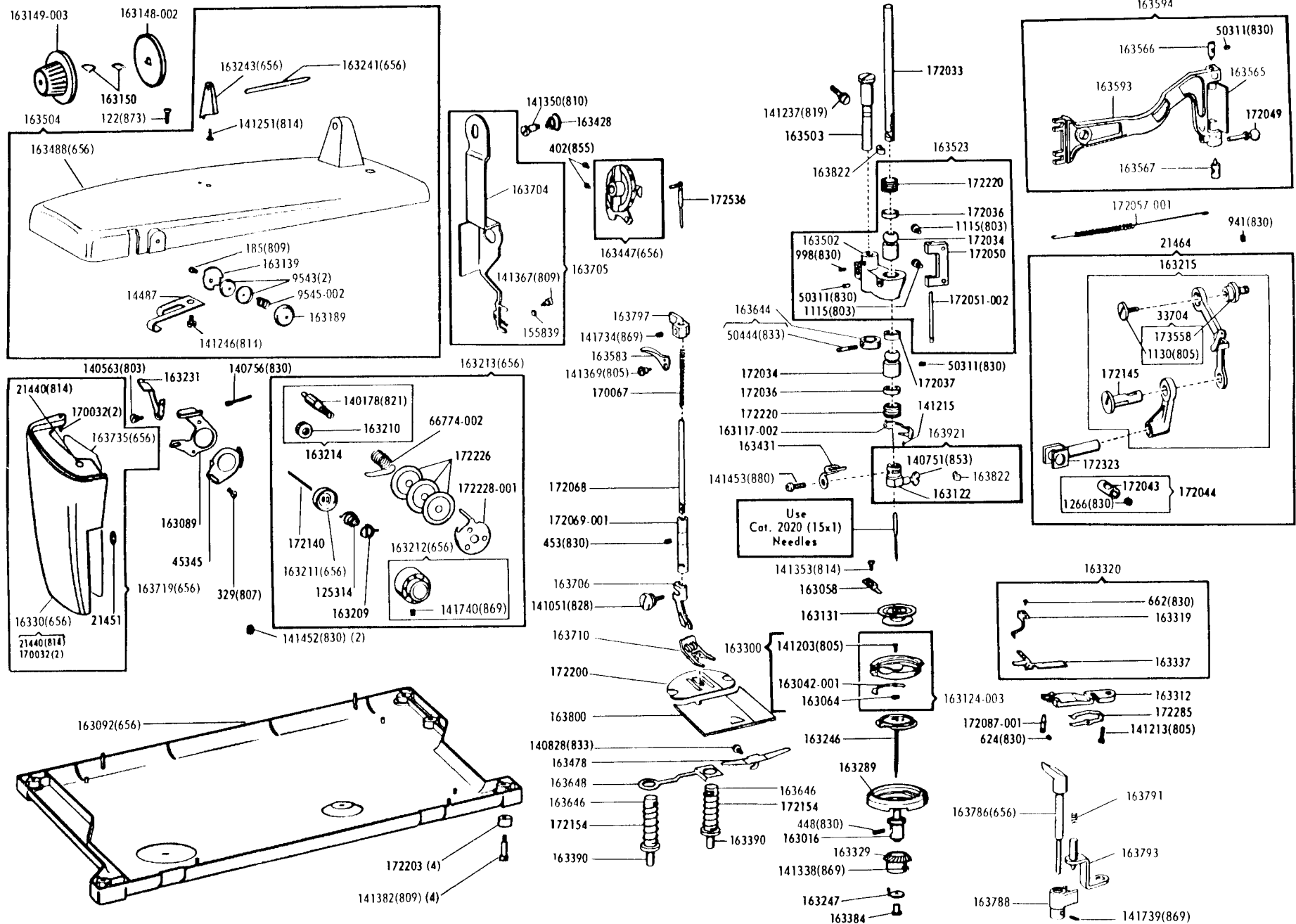
- 21906 Chainstitch Attachment Loop Retainer Disc
- 21913 Chainstitch Attachment Throat Plate
- 81200 Binder (slotted)
- 161133 Tube of Oil
- 161166 Zipper Foot
- 161168 Presser Foot for button sewing
- 161172 Seam Guide
- 161276 Lint Brush
- 161917 Presser Foot Plate (snap-on, plastic) for sewing buttonholes
- 161919 Presser Foot Plate (snap-on) for straight sewing
- 161925 Attachment Box
- 161960 Glassine Envelope containing two needle threader hooks and Instruction Form 21632
- 163131 Bobbin (2)
- 163242(656) Spool Pin for two needle sewing
- 163455 Chainstitch Attachment Thread Guide
- 163456 Chainstitch Attachment Set complete, Nos. 21906, 21913 and 163455
- 163483 Presser Foot for Applique
- 174529 Throat Plate for straight sewing
- Needle Cat. 2020, size 14
- Needle Cat. 2020, size 16
- Twin Needle Cat. 2028, size 14

## CIRCULAR DECORATOR ATTACHMENT 161847(656)

- 141347(807) Circular Decorator Attachment Thumb Screw
- 161846 Attachment Box (cardboard)
- 163399 Circular Decorator Attachment Arm
- 163407 Circular Decorator Attachment Base with 141347(807)
- 163409(656) Circular Decorator Attachment Knob
- 163437 Circular Decorator Attachment Arm Catch Spring

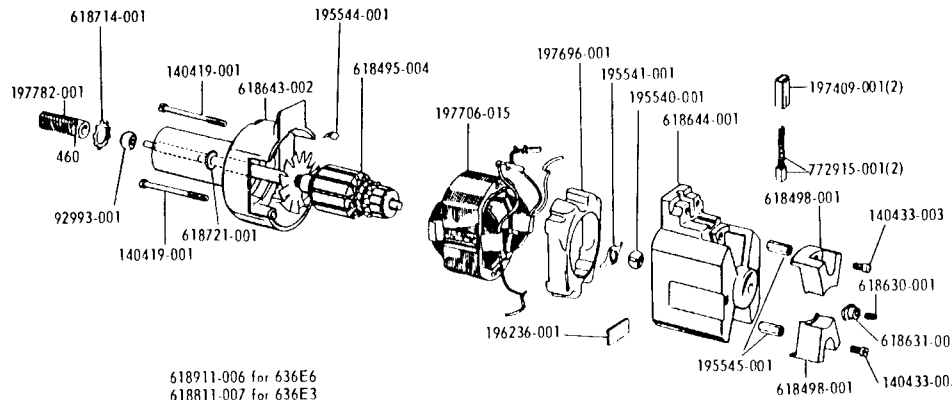


# List of Parts—Machines Nos. 636E3, 636E6 and 636E7





# Electrical Parts—Machines Nos. 636E3, 636E6 and 636E7



618911-006 for 636E6  
 618911-007 for 636E3

